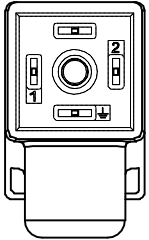
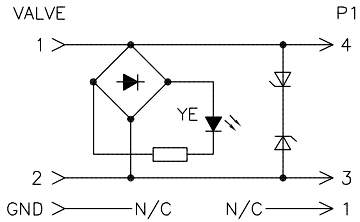
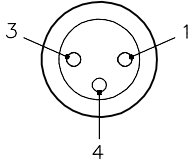

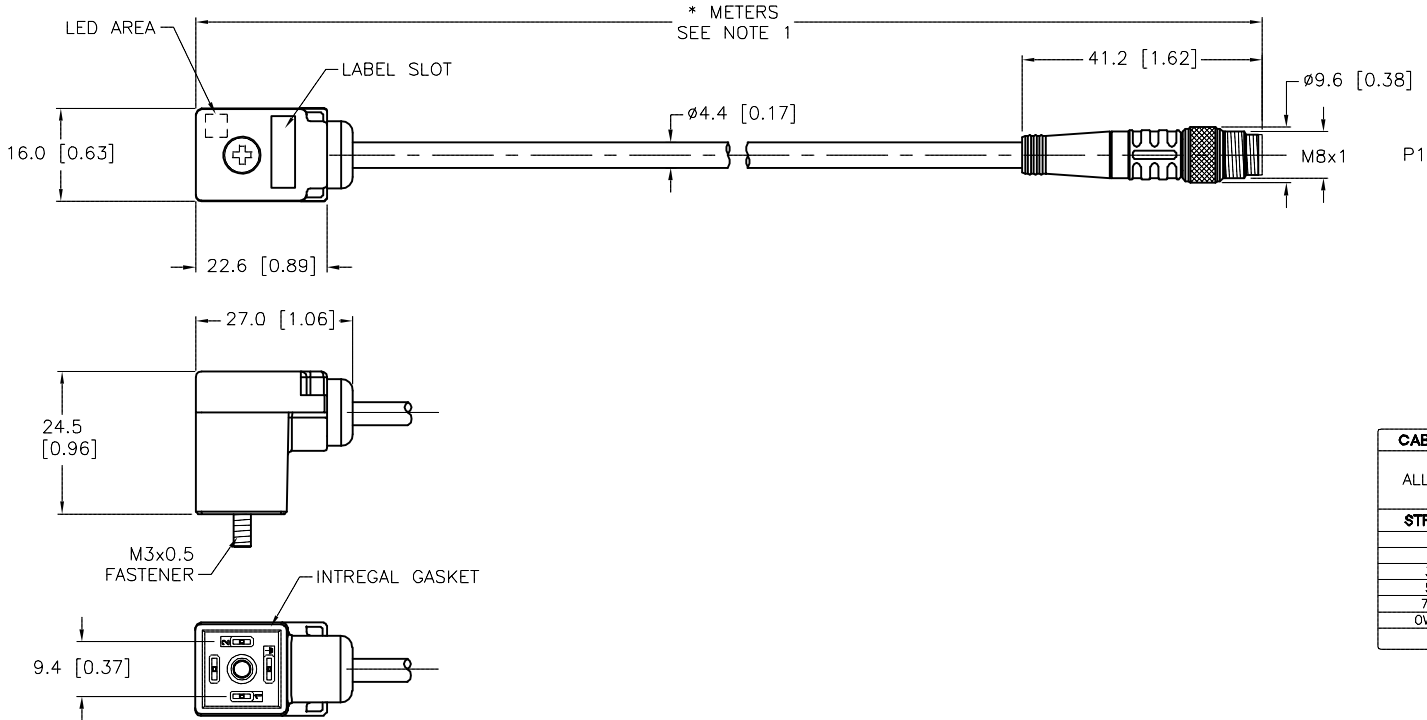


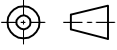

VALVE END VIEW	WIRING DIAGRAM	MALE END VIEW	SPECIFICATIONS																						
 <p>1 = BROWN 2 = BLUE GND = BLACK</p>		 <p>1 = N/C 3 = BLUE 4 = BROWN</p> 	<table border="1" style="width:100%; border-collapse: collapse;"> <tr><td>CONTACT CARRIER MATERIAL</td><td>NYLON OR TPU</td></tr> <tr><td>MOLDED HEAD MATERIAL/COLOR</td><td>TPU/TRANSLUCENT BLACK (VALVE), YELLOW (P1)</td></tr> <tr><td>CONTACT MATERIAL/PLATING</td><td>BRASS/SILVER (VALVE), BRASS/GOLD (P1)</td></tr> <tr><td>COUPLING NUT MATERIAL/PLATING (P1)</td><td>BRASS/NICKEL</td></tr> <tr><td>RATED CURRENT [A]</td><td>4.0 A</td></tr> <tr><td>RATED VOLTAGE [V]</td><td>24 VAC/VDC</td></tr> <tr><td>OUTER CABLE JACKET MATERIAL/COLOR</td><td>PVC/YELLOW</td></tr> <tr><td>CONDUCTOR INSULATION MATERIAL</td><td>PVC</td></tr> <tr><td>NUMBER OF CONDUCTORS [AWG]</td><td>3x24 AWG</td></tr> <tr><td>TEMPERATURE RANGE</td><td>-40°C to +105°C (-40°F to +221°F)</td></tr> <tr><td>PROTECTION CLASS</td><td>MEETS NEMA 1,3,4,6P AND IEC IP67</td></tr> </table>	CONTACT CARRIER MATERIAL	NYLON OR TPU	MOLDED HEAD MATERIAL/COLOR	TPU/TRANSLUCENT BLACK (VALVE), YELLOW (P1)	CONTACT MATERIAL/PLATING	BRASS/SILVER (VALVE), BRASS/GOLD (P1)	COUPLING NUT MATERIAL/PLATING (P1)	BRASS/NICKEL	RATED CURRENT [A]	4.0 A	RATED VOLTAGE [V]	24 VAC/VDC	OUTER CABLE JACKET MATERIAL/COLOR	PVC/YELLOW	CONDUCTOR INSULATION MATERIAL	PVC	NUMBER OF CONDUCTORS [AWG]	3x24 AWG	TEMPERATURE RANGE	-40°C to +105°C (-40°F to +221°F)	PROTECTION CLASS	MEETS NEMA 1,3,4,6P AND IEC IP67
CONTACT CARRIER MATERIAL	NYLON OR TPU																								
MOLDED HEAD MATERIAL/COLOR	TPU/TRANSLUCENT BLACK (VALVE), YELLOW (P1)																								
CONTACT MATERIAL/PLATING	BRASS/SILVER (VALVE), BRASS/GOLD (P1)																								
COUPLING NUT MATERIAL/PLATING (P1)	BRASS/NICKEL																								
RATED CURRENT [A]	4.0 A																								
RATED VOLTAGE [V]	24 VAC/VDC																								
OUTER CABLE JACKET MATERIAL/COLOR	PVC/YELLOW																								
CONDUCTOR INSULATION MATERIAL	PVC																								
NUMBER OF CONDUCTORS [AWG]	3x24 AWG																								
TEMPERATURE RANGE	-40°C to +105°C (-40°F to +221°F)																								
PROTECTION CLASS	MEETS NEMA 1,3,4,6P AND IEC IP67																								



CABLE LENGTH	TOLERANCE*
ALL LENGTHS	+ 4% (OR 50mm) OF LENGTH - 0% (OR 0mm) OF LENGTH WHICHEVER IS GREATER
STRIP LENGTH	TOLERANCE*
0-7mm	±0.5mm
8-29mm	±1.0mm
30-49mm	±2.0mm
50-69mm	±3.0mm
70-100mm	±4.0mm
OVER 100mm	±5.0mm

* UNLESS OTHERWISE SPECIFIED

SOURCE DRAWING - FOR REFERENCE ONLY

RELATED DOCUMENTS 1. 2. 3. 4.	3RD ANGLE PROJECTION 	THIS DRAWING IS CONFIDENTIAL AND THE PROPERTY OF TURCK INC. USE OF THIS DOCUMENT WITHOUT WRITTEN PERMISSION IS PROHIBITED.	3000 CAMPUS DRIVE MINNEAPOLIS, MN 55441 1-800-544-7769 (763) 553-7300 (763) 553-0708 fax www.turck.us		
MATERIAL SEE SPECIFICATIONS	ALL DIMENSIONS DISPLAYED ON THIS DRAWING ARE FOR REFERENCE ONLY	DRFT CK DATE 07/12/11 APVD SCALE 1=1.3	DESCRIPTION TC9S 2-P642-*M-PSG 3M		
FINISH SEE SPECIFICATIONS	CONTACT TURCK FOR MORE INFORMATION	UNIT OF MEASUREMENT MILLIMETER [INCH]		IDENTIFICATION NO.	REV C
DO NOT SCALE THIS DRAWING		FILE: 777001654		SHEET 1 OF 1	

NOTES:
1. "*" INDICATES CABLE LENGTH IN METERS. CONTACT TURCK TO ORDER SPECIFIC LENGTHS.

C	UPDATE TO NEW VALVE PLUG BODY	RDS	08/19/13	43015
REV	DESCRIPTION	BY	DATE	ECO NO.